
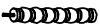




Signature
MADISON PARK BECKETT NIGHSTAND

Assembly instructions:

PARTS LIST

No.	DESCRIPTION	IMAGE	Q'TY
P1	TOP CABINET		1
P2	LEG		4
P3	BOTTOM PANEL		1
P4	FEET		4

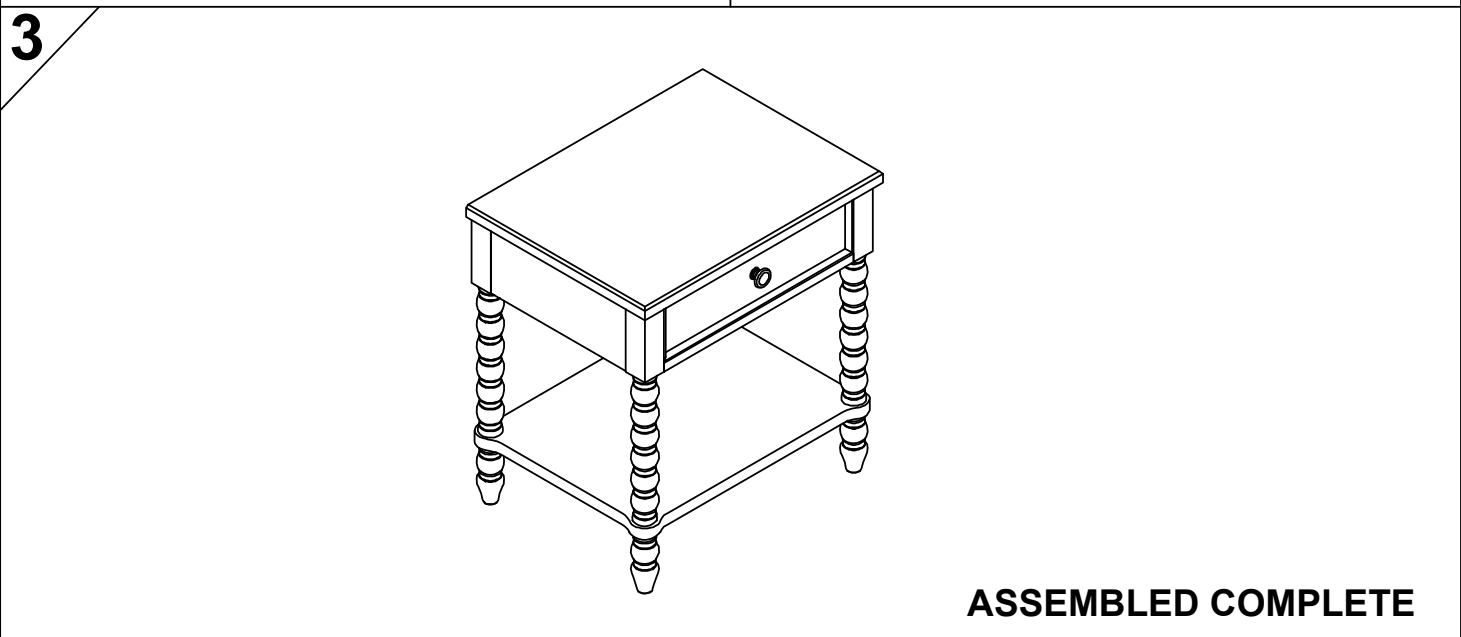
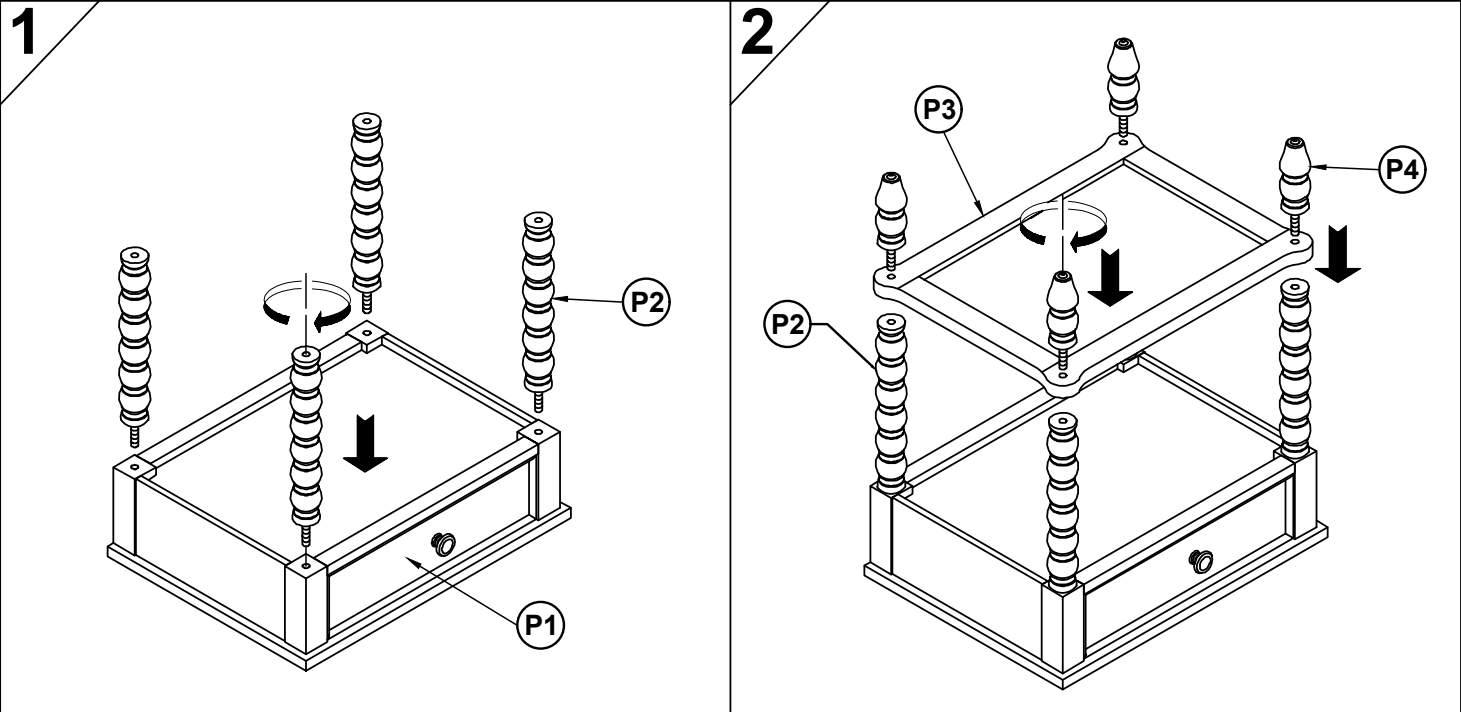
NOTE: PO# is located underneath/ at the back side of each item. Please be prepared to provide this # should any claim be necessary

CAUTION: Item is heavy assembly should be performed by two people.

DISCLAIMER:

When properly assembled, this item is safe for intended use. Seller is not liable for any damages resulting from item being improperly assembled after purchase.

ADDITIONAL NOTE ABOUT SAFETY:
BOLTS MAY LOOSEN DURING NORMAL EVERYDAY USE.
THEY SHOULD BE INSPECTED AT LEAST EVERY 3 MONTHS AND RE-TIGHTENED AS NEEDED TO PREVENT DAMAGE OR INJURY, AND ENSURE STABILITY.



ASSEMBLED COMPLETE